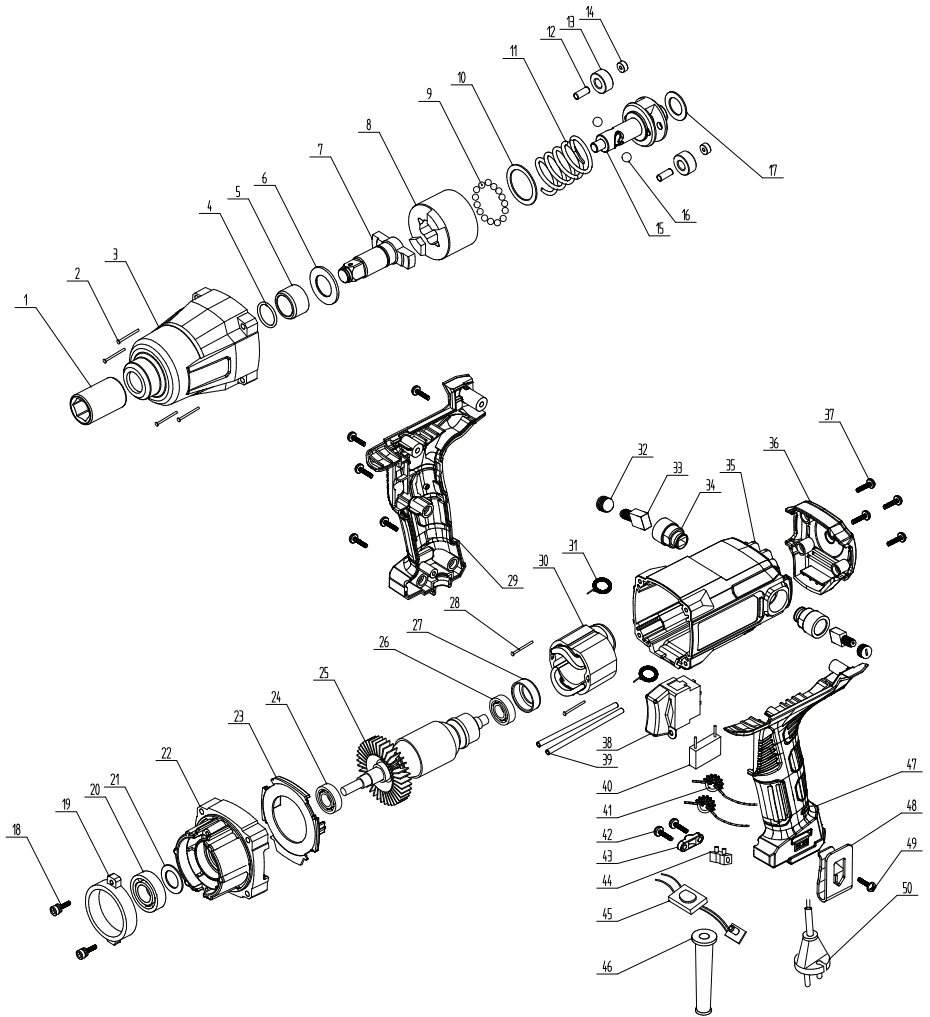


Exploded drawing of Impact Wrench RD-EIW08



Spare Parts List of Impact Wrench RD-EIW08

SPARE PARTS LIST		
Explosion NO	English name	QTY
1	socket	1
2	screw ST5*45	4
3	gear box	1
4	wool circle 24*18*2	1
5	Oil steel sleeve	1
6	T -type shaft washer	1
7	T -type shaft	1
8	Impact block	1
9	steel ball ϕ 4	24
10	Impact block wahser	1
11	big spring	1
12	pin ϕ 6*15	2
13	planet gear	1
14	steel sleeve	2
15	impact shaft	1
16	steel ball ϕ 5.5	2
17	washer ϕ 15* ϕ 24.5*1	1
18	screw M4*20	1
19	planetary ring gear	1
20	bearing 6002-2RS	1
21	wool circle	1
22	The middle cover	1
23	Wind guide	1
24	bearing 6000-2RS	1
25	rotor	1
26	bearing 608-2RS	1
27	bearing rubber ring	1
28	screw ST3.9*60	2
29	right handle	1
30	stator	1

31	tension spring	2
32	brush cover	2
33	carton brush	2
34	brush holder	2
35	housing	1
36	rear shade	1
37	screw ST3.9*16	9
38	switch	1
39	Glass paint tube	2
40	Capacitor	1
41	inductance	2
42	screw ST3.9*14	2
43	the cable clamp	1
44	connection terminal	1
45	lamp	1
46	color seelve	1
47	left handle	1
48	belt chock	1
49	cross screw	1
50	cable	1